

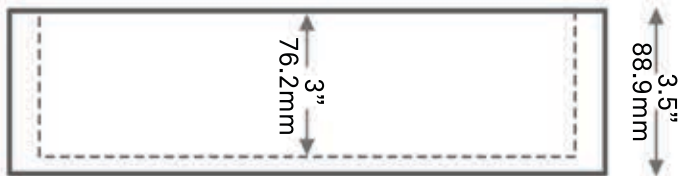
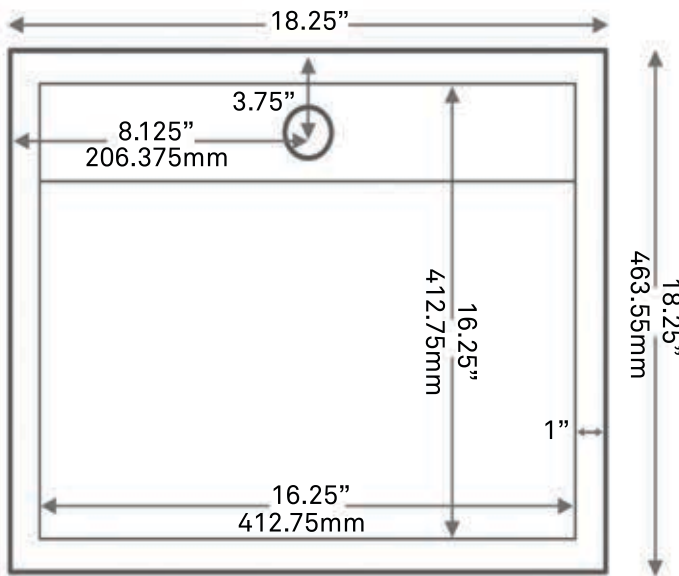


NOSV-ANSQ

Absolute Black Granite Square Vessel Sink with Chiseled Exterior

Requested By: _____

Specific Features: _____



STANDARD SPECIFICATIONS:

- Square granite vessel sink
- Polished black interior
- Natural textured exterior
- Hand crafted by our master artisans
- Above counter installation
- No mounting ring required
- Standard U.S. plumbing connection
- Due to its handcrafted nature, always measure sink on-site to ensure cut-out accuracy.

WARRANTY:

Limited lifetime warranty

- See www.Novatto.com for details

COORDINATING ACCESSORIES:

- UPD-BN/CH/ORB/MB umbrella drain
- Glacier Ice Restoration and Sealer kit

NOTES

Novatto reserves the right (1) to make changes in specifications and materials, and (2) to change or discontinue models, both without notice or obligation. Dimensions are for reference only, see www.Novatto.com for finish options and product availability.

Novatto Inc
TOLL FREE 844.404.4242
www.Novatto.com



UPD-CH Umbrella Drain, Chrome

Requested By: _____

Specific Features: _____

STANDARD SPECIFICATIONS:

- Umbrella vessel sink drain
- Chrome finish
- Solid brass construction
- Includes rubber seals and fastener for installation
- 9.5-inches total length
- Fits any standard 1.75-inch drain opening
- cUPC
- Drain STAYS open

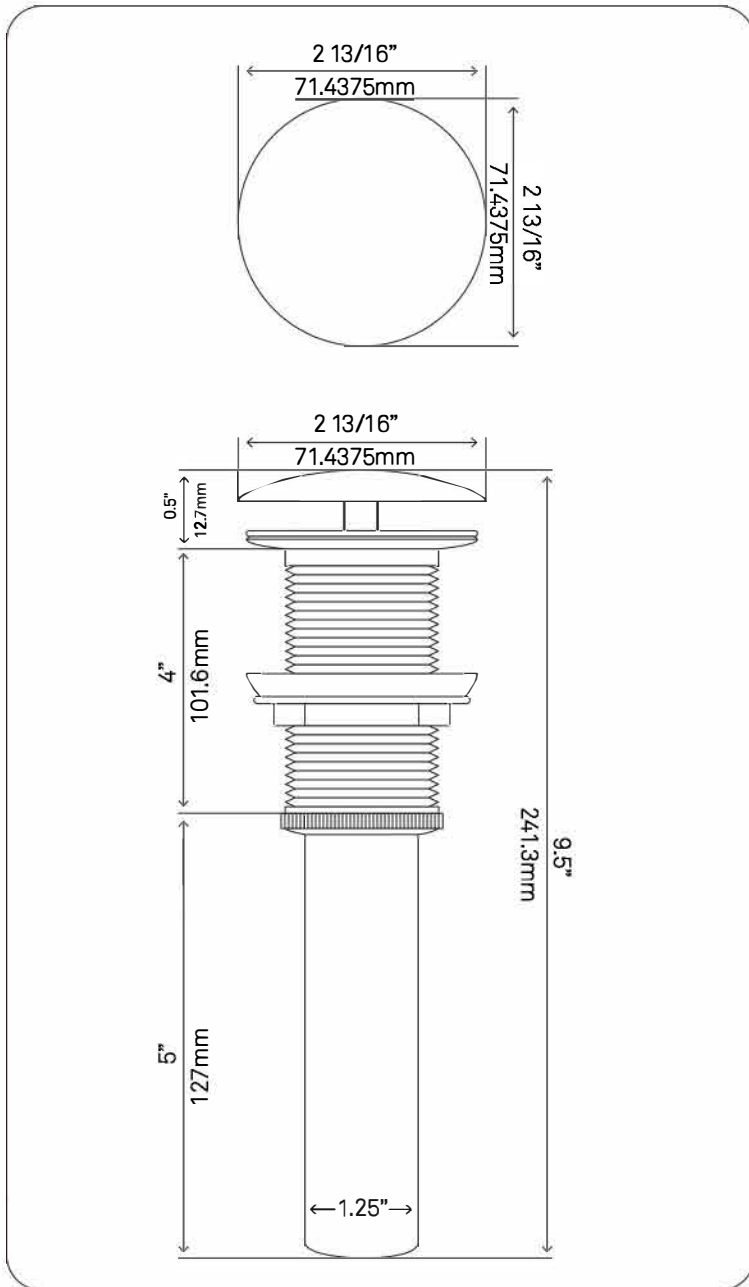
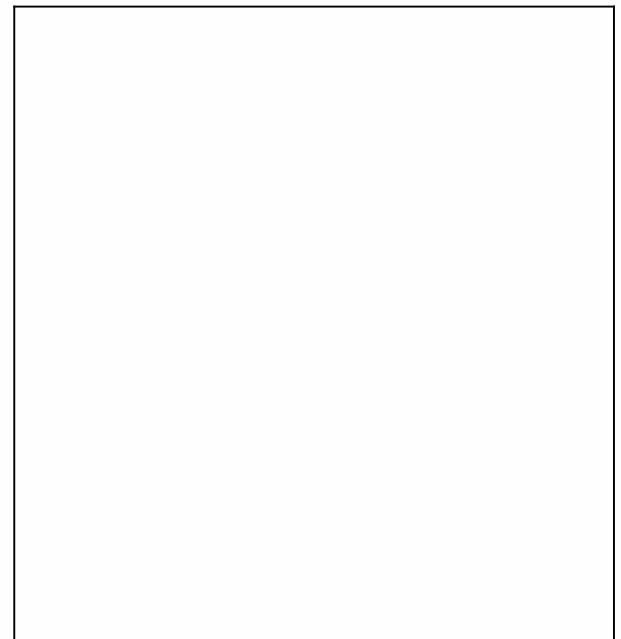
WARRANTY:

- Limited lifetime warranty
- See www.Novatto.com for details

COORDINATING ACCESSORIES:

- Glacier Ice Restoration and Sealer kit
- Chrome Mounting Ring

NOTES



Novatto reserves the right (1) to make changes in specifications and materials, and (2) to change or discontinue models, both without notice or obligation. Dimensions are for reference only, see www.Novatto.com for finish options and product availability.

Novatto Inc
TOLL FREE 844.404.4242
www.Novatto.com